

Sani-Tech® Sani-Pro® Tubing & Fittings

Non-Metallic Sanitary Rigid Products



<u>Sani-Pro® Rigid Tubing</u>	<u>Page 2</u>
<u>Standard Sanitary Flange Ends</u>	<u>Page 2</u>
<u>90° Elbows</u>	<u>Page 3</u>
<u>45° Elbows</u>	<u>Page 3</u>
<u>Standard Tees</u>	<u>Page 4</u>
<u>Reducing Tees</u>	<u>Page 4</u>
<u>Short Bull Tees</u>	<u>Page 5</u>
<u>Cross Tees</u>	<u>Page 5</u>
<u>Reducers</u>	<u>Page 6</u>
<u>End Caps</u>	<u>Page 7 & 8</u>
<u>Polysulfone Sight Gauges</u>	<u>Page 8</u>
<u>True Union Clamps</u>	<u>Page 9</u>
<u>Aluminum Spanner Wrench Sets</u>	<u>Page 9</u>
<u>Pressure Gauge Guards</u>	<u>Page 10</u>
<u>Flow Meters</u>	<u>Page 11</u>

sani-tech
west

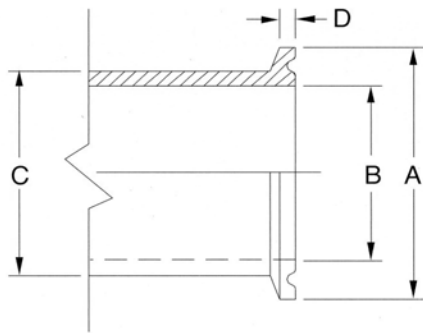
Sani-Pro® Rigid Tubing



SIZE	PART #	A	B	WALL/REF.
MINI	(T,K)075	0.750	0.564	0.062
MAXI	(T,K)100	1.106	0.856	0.125
1 1/2"	(T,K)150	1.606	1.356	0.125
2"	(T,K)200	2.106	1.856	0.125
2 1/2"	(T,K)250	2.606	2.356	0.125
3"	(T,K)300	3.106	2.856	0.125

T = Polypropylene K = Kynar® (PVDF)

Standard Sanitary Flange End

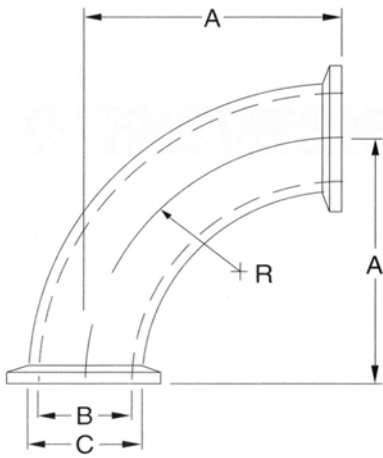


SIZE	PART#	A	B	C	D
MINI	S(T,K)AD075	0.992	0.560	0.750	0.143
MAXI	S(T,K)AD100	1.500	0.856	1.106	0.112
1" LADISH	S(T,K)AD100L	1.984	0.856	1.106	0.112
1 1/2"	S(T,K)AD150	1.984	1.356	1.606	0.112
2"	S(T,K)AD200	2.516	1.856	2.106	0.112
2 1/2"	S(T,K)AD250	3.047	2.356	2.606	0.112
3"	S(T,K)AD300	3.579	2.856	3.106	0.112

T = Polypropylene K = Kynar® (PVDF)

sani-tech west

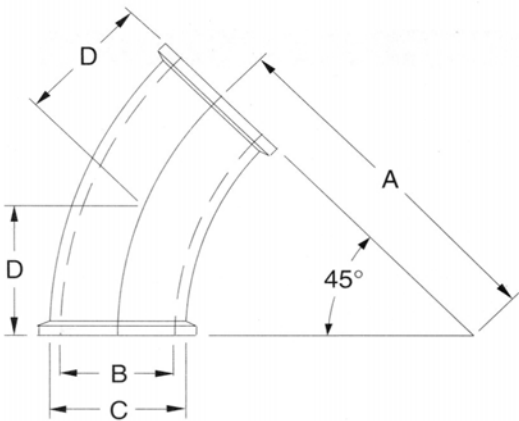
90° Elbow



SIZE	PART#	A	B	C	R
MINI	(T,K)90075	2.50	0.560	0.750	2.50
MAXI	(T,K)90100	2.50	0.856	1.106	2.50
LADISH	(T,K)90100L	2.50	0.856	1.106	2.50
1 1/2"	(T,K)90150	2.75	1.356	1.606	2.75
2"	(T,K)90200	3.50	1.856	2.106	3.50
2 1/2"	(T,K)90250	4.25	2.356	2.606	4.25
3"	(T,K)90300	5.00	2.856	3.106	5.00

T = Polypropylene K = Kynar® (PVDF)

45° Elbow

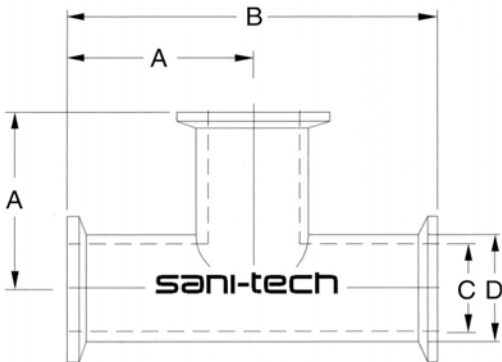


SIZE	PART#	A	B	C	D
MINI	(T,K)45075	2.50	0.560	0.750	0.96
MAXI	(T,K)45100	2.50	0.856	1.106	0.96
LADISH	(T,K)45100L	5.02	0.856	1.106	2.08
1 1/2"	(T,K)45150	4.25	1.356	1.606	1.63
2"	(T,K)45200	4.25	1.856	2.106	1.63
2 1/2"	(T,K)45250	4.25	2.356	2.606	1.63
3"	(T,K)45300	5.00	2.856	3.106	1.91

T = Polypropylene K = Kynar® (PVDF)

sani-tech
west

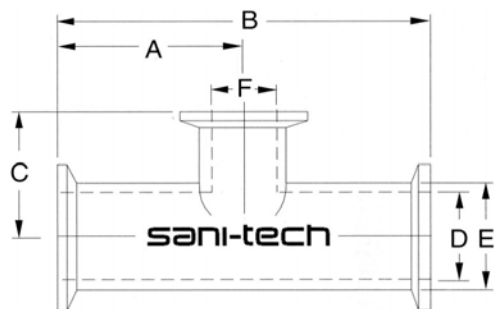
Standard Tee



SIZE	PART#	C	D	A	B
MINI	(T,K)T075	0.560	0.750	2.62	5.25
MAXI	(T,K)T100	0.856	1.106	2.00	4.00
LADISH	(T,K)T100L	0.856	1.106	3.19	6.38
1 1/2"	(T,K)T150	1.356	1.606	2.75	5.50
2"	(T,K)T200	1.856	2.106	3.44	6.88
2 1/2"	(I,K)1250	2.356	2.606	3.50	7.00
3"	(T,K)1300	2.856	3.106	3.75	7.50

T = Polypropylene K = Kynar® (PVDF)

Reducing Tee

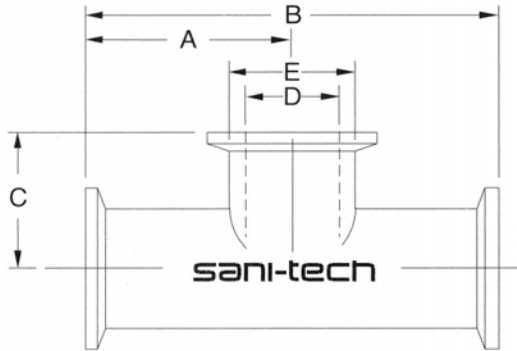


SPOOL SIZE	PART#	A	B	C	D	E	F
MAXI	(T,K)RT100-075	2.00	4.00	1.56	0.856	1.106	0.560
LADISH	(T,K)RT100L-075	3.19	6.38	2.50	0.856	1.106	0.560
1 1/2"	(T,K)RT150-075	2.75	5.50	1.94	1.356	1.606	0.560
1 1/2"	(T,K)RT150-100				1.356	1.606	0.856
2"	(T,K)RT200-075	3.44	6.88	2.16	1.856	2.106	0.560
2"	(T,K)RT200-100				1.856	2.106	0.856
2"	(T,K)RT200-150				1.856	2.106	1.356
2 1/2"	(T,K)RT250-075	3.50	7.00	2.43	2.356	2.606	0.560
2 1/2"	(T,K)RT250-100				2.356	2.606	0.856
2 1/2"	(T,K)RT250-150				2.356	2.606	1.356
2 1/2"	(T,K)RT250-200				2.356	2.606	1.856
3"	(T,K)RT300-075				2.856	3.106	0.560
3"	(T,K)RT300-100	3.75	7.50	2.68	2.856	3.106	0.856
3"	(T,K)RT300-150				2.856	3.106	1.356
3"	(T,K)RT300-200				2.856	3.106	1.856
3"	(T,K)RT300-250				2.856	3.106	2.356

T = Polypropylene K = Kynar® (PVDF)

sani-tech
west

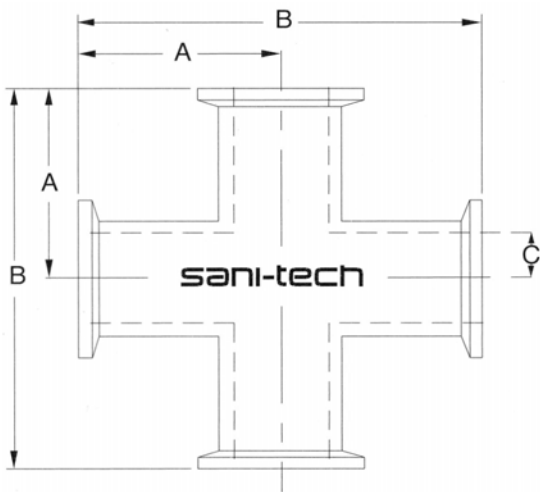
Short Bull Tee



SIZE	PART #	A	B	C	D	E
MINI	(T,K)SB075	2.62	5.25	1.63	0.560	0.750
1 1/2"	(T,K)SB150	2.75	5.50	1.93	1.356	1.606
2"	(T,K)SB200	3.50	6.88	2.18	1.856	2.106
2 1/2"	(T,K)SB250	3.50	7.00	2.43	2.356	2.606
3"	(T,K)SB300	3.75	7.50	2.68	2.856	3.106

T = Polypropylene K = Kynar® (PVDF)

Cross Tee

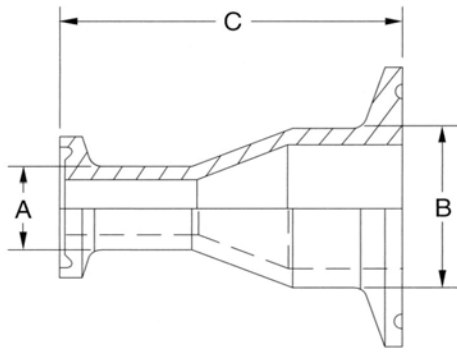


SIZE	PART#	C	A	B
MINI	(T,K)CT075	0.560	2.62	5.25
MAXI	(T,K)CT100	0.856	2.00	4.00
LADISH	(T,K)CT100L	0.856	3.19	6.38
1 1/2"	(T,K)CT150	1.356	2.75	5.50
2"	(T,K)CT200	1.856	3.50	7.00
2 1/2"	(T,K)CT250	2.356	3.50	7.00
3"	(T,K)CT300	2.856	3.75	7.50

T = Polypropylene K = Kynar® (PVDF)

sani-tech
west

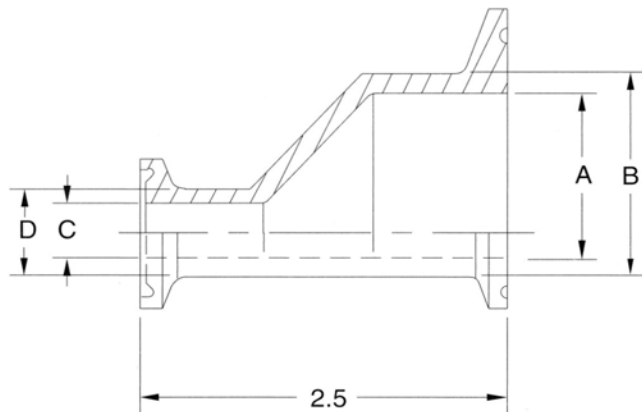
Concentric Reducer



SIZE	PART #	A	B	C
MINI x MAXI	(T,K)AD100-075	0.750	1.106	2.95
MINI x 1" LADISH	(T,K)AD100L-075	0.750	1.106	3.00
MINI x 1 1/2"	(T,K)AD150-075	0.750	1.606	3.07
MINI x 2"	(T,K)AD200-075	0.750	2.106	3.05
MINI x 2 1/2"	(T,K)AD250-075	0.750	2.606	3.00
MINI x 3"	(T,K)AD300-075	0.750	3.106	1.25
MAXI x 1" LADISH	(T,K)AD100L-100	1.106	1.106	2.95
MAXI x 1 1/2"	(T,K)AD150-100	1.106	1.606	2.95
MAXI x 2"	(T,K)AD200-100	1.106	2.106	3.04
MAXI x 2 1/2"	(T,K)AD250-100	1.106	2.606	2.20
MAXI x 3"	(T,K)AD300-100	1.106	3.106	2.60
1" LADISH x 1 1/2"	(T,K)AD150-100L	1.106	1.606	3.01
1" LADISH x 2"	(T,K)AD200-100L	1.106	2.106	3.10
1" LADISH x 2 1/2"	(T,K)AD250-100L	1.106	2.606	3.00
1" LADISH x 3"	(T,K)AD300-100L	1.106	3.106	3.00
1 1/2" x 2"	(T,K)AD200-150	1.106	2.106	2.97
1 1/2" x 2 1/2"	(T,K)AD250-150	1.606	2.606	3.05
1 1/2" x 3"	(T,K)AD300-150	1.606	3.106	2.45
2" x 2 1/2"	(T,K)AD250-200	2.106	2.606	3.10
2" x 3"	(T,K)AD300-200	2.106	3.106	4.85
2 1/2" x 3"	(T,K)AD300-250	2.606	3.106	2.40

T = Polypropylene K = Kynar® (PVDF)

Eccentric Reducer

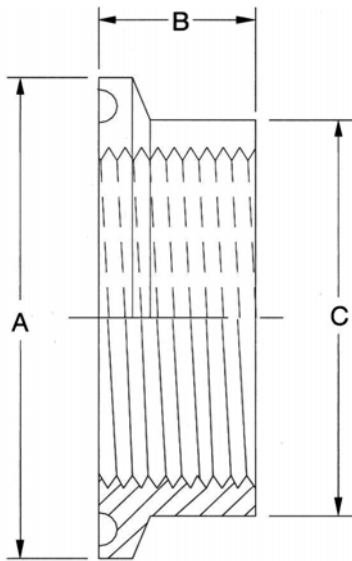


SIZE	PART#	A	B	C	D
MINI x MAXI	(T,K)ER100-075	0.856	1.106	0.560	0.750
MINI x 1 1/2"	(T,K)ER150-075	1.356	1.106	0.560	0.750
MAXI x 1 1/2"	(T,K)ER150-100	1.356	1.106	0.856	1.106

T = Polypropylene K = Kynar® (PVDF)

sani-tech
west

End Cap with FNPT Tap

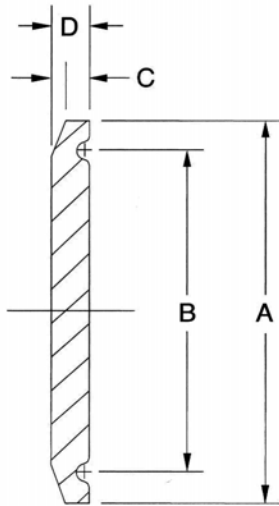


SIZE	PART #	FNPT	A	B	C
MINI	(T,K)EC075-02F	1/8"	0.992	0.500	1.106
MINI	(T,K)EC075-04F	1/4"	0.992	0.500	1.106
MAXI	(T,K)EC100-02F	1/8"	1.500	0.500	1.106
MAXI	(T,K)EC100-04F	1/4"	1.500	0.500	1.106
MAXI	(T,K)EC100-06F	3/8"	1.500	0.500	1.106
MAXI	(T,K)EC100-08F	1/2"	1.500	0.500	1.106
1 1/2"	(T,K)EC150-02F	1/8"	1.984	0.500	1.606
1 1/2"	(T,K)EC150-04F	1/4"	1.984	0.500	1.606
1 1/2"	(T,K)EC150-06F	3/8"	1.984	0.500	1.606
1 1/2"	(T,K)EC150-08F	1/2"	1.984	0.500	1.606
1 1/2"	(T,K)EC150-10F	5/8"	1.984	0.500	1.606
1 1/2"	(T,K)EC150-12F	3/4"	1.984	0.500	1.606
1 1/2"	(T,K)EC150-14F	7/8"	1.984	0.500	1.606
1 1/2"	(T,K)EC150-16F	1"	1.984	0.500	2.106
2"	(T,K)EC200-02F	1/8"	2.516	0.500	2.106
2"	(T,K)EC200-04F	1/4"	2.516	0.500	2.106
2"	(T,K)EC200-06F	3/8"	2.516	0.500	2.106
2"	(T,K)EC200-08F	1/2"	2.516	0.500	2.106
2"	(T,K)EC200-10F	5/8"	2.516	0.500	2.106
2"	(T,K)EC200-12F	3/4"	2.516	0.500	2.106
2"	(T,K)EC200-14F	7/8"	2.516	0.500	2.106
2"	(T,K)EC200-16F	1"	2.516	0.500	2.106
2 1/2"	(T,K)EC250-02F	1/8"	3.047	0.500	2.606
2 1/2"	(T,K)EC250-04F	1/4"	3.047	0.500	2.606
2 1/2"	(T,K)EC250-06F	3/8"	3.047	0.500	2.606
2 1/2"	(T,K)EC250-08F	1/2"	3.047	0.500	2.606
2 1/2"	(T,K)EC250-10F	5/8"	3.047	0.500	2.606
2 1/2"	(T,K)EC250-12F	3/4"	3.047	0.500	2.606
2 1/2"	(T,K)EC250-14F	7/8"	3.047	0.500	2.606
2 1/2"	(T,K)EC250-16F	1"	3.047	0.500	2.606
2 1/2"	(T,K)EC250-20F	1 1/4"	3.047	0.500	2.606
3"	(T,K)EC300-02F	1/8"	3.579	0.500	3.106
3"	(T,K)EC300-04F	1/4"	3.579	0.500	3.106
3"	(T,K)EC300-06F	3/8"	3.579	0.500	3.106
3"	(T,K)EC300-08F	1/2"	3.579	0.500	3.106
3"	(T,K)EC300-10F	5/8"	3.579	0.500	3.106
3"	(T,K)EC300-12F	3/4"	3.579	0.500	3.106
3"	(T,K)EC300-14F	7/8"	3.579	0.500	3.106
3"	(T,K)EC300-16F	1"	3.579	0.500	3.106
3"	(T,K)EC300-20F	1 1/4"	3.579	0.500	3.106
3"	(T,K)EC300-24F	1 1/2"	3.579	0.500	3.106
3"	(T,K)EC300-32F	2"	3.579	0.500	3.106
3"	(T,K)EC400-02F	1/8"	4.682	0.500	4.060
4"	(T,K)EC400-04F	1/4"	4.682	0.500	4.060
4"	(T,K)EC400-06F	3/8"	4.682	0.500	4.060
4"	(T,K)EC400-08F	1/2"	4.682	0.500	4.060
4"	(T,K)EC400-10F	5/8"	4.682	0.500	4.060
4"	(T,K)EC400-12F	3/4"	4.682	0.500	4.060
4"	(T,K)EC400-14F	7/8"	4.682	0.500	4.060
4"	(T,K)EC400-16F	1"	4.682	0.500	4.060
4"	(T,K)EC400-20F	1 1/4"	4.682	0.500	4.060
4"	(T,K)EC400-24F	1 1/2"	4.682	0.500	4.060
4"	(T,K)EC400-32F	2"	4.682	0.500	4.060
4"	(T,K)EC400-40F	2 1/2"	4.682	0.500	4.060

T = Polypropylene K = Kynar® (PVDF)



End Cap



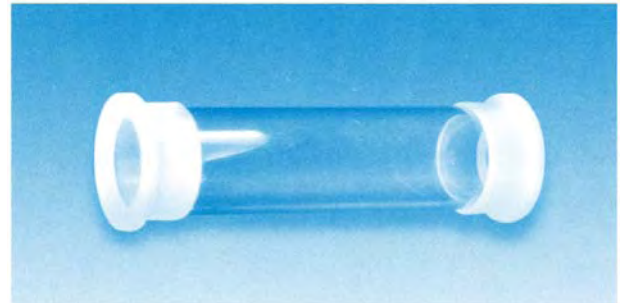
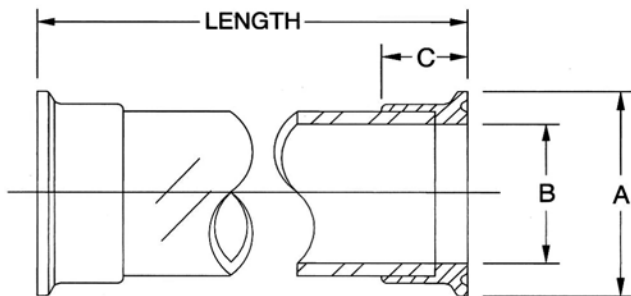
SIZE	PART#	A	B	C	D
MINI	(T,K,PS)EC075	0.992	NA	0.143	0.188
MAXI	(T,K,PS)EC100	1.500	1.250	0.112	0.188
1" LADISH	(T,K,PS)EC150	1.984	1.718	0.112	0.240
1 1/2"	(T,K,PS)EC150	1.984	1.718	0.112	0.240
2"	(T,K,PS)EC200	2.516	2.218	0.112	0.240
2 1/2"	(T,K,PS)EC250	3.047	2.781	0.112	0.240
3"	(T,K,PS)EC300	3.579	3.281	0.112	0.240
4"	(T,K,PS)EC400	4.682	4.344	0.112	0.240
6"	(T,K,PS)EC600	6.570	6.178	0.220	0.480

T = Polypropylene

K = Kynar® (PVDF)

PS = Polysulfone

Polysulfone Sight Gauge

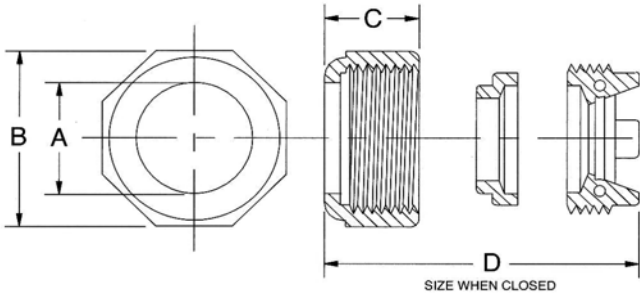


SIZE	PART #	A	B	C
MINI	PS075-(3,6,12,24,36,48,60,120)	0.992	0.560	0.60
MAXI	PS100-(3,6,12,24,36,48,60,120)	1.500	0.856	1.85
LADISH	PS100L-(3,6,12,24,36,48,60,120)	1.984	0.856	0.92
1 1/2"	PS150L-(3,6,12,24,36,48,60,120)	1.984	1.356	0.82
2"	PS200-(3,6,12,24,36,48,60,120)	2.516	1.856	0.83
2 1/2"	PS250-(3,6,12,24,36,48,60,120)	3.047	2.356	0.90
3"	PS300-(3,6,12,24,36,48,60,120)	3.579	2.856	0.92
4"	PS400-(3,6,12,24,36,48,60,120)	4.682	3.810	0.85

CUSTOM LENGTHS AVAILABLE

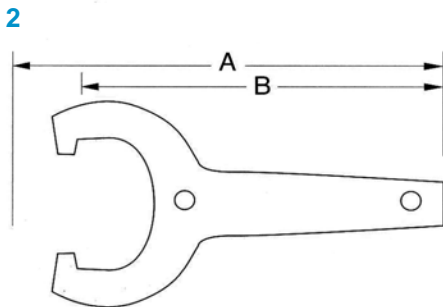
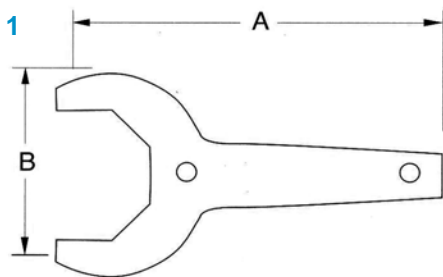
sani-tech
west

True Union Clamp



SIZE	PART #	A	B	C	D
MINI	CL075TU	0.980	1.500	0.830	1.100
MAXI	CL100TU	1.520	2.090	1.060	1.320
1 1/2"	CL150TU	2.000	2.800	1.280	1.510
2"	CL200TU	2.510	3.400	1.410	1.610
2 1/2"	CL250TU	3.050	4.370	1.630	1.850
3"	CL300TU	3.570	4.480	1.600	1.850

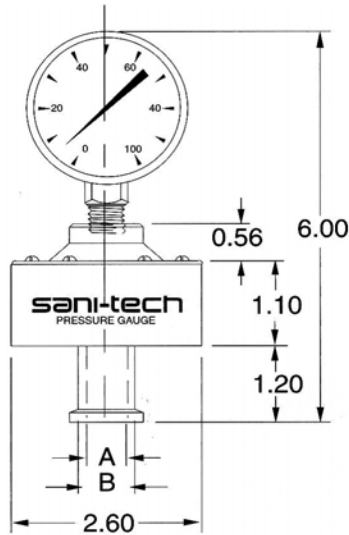
Aluminum Spanner Wrench Set



SIZE	PART#	1		2	
		A	B	A	B
MINI	CL075SW	4.92	2.26	4.92	4.20
MAXI	CL100SW	6.00	3.10	5.05	4.62
1" LADISH OR 1 1/2"	CL150SW	7.26	4.00	6.51	5.34
2"	CL200SW	7.91	4.60	6.29	5.15
2 1/2"	CL250SW	6.34	5.41	7.58	6.32
3"	CL300SW	9.40	6.06	7.81	6.46

sani-tech
west

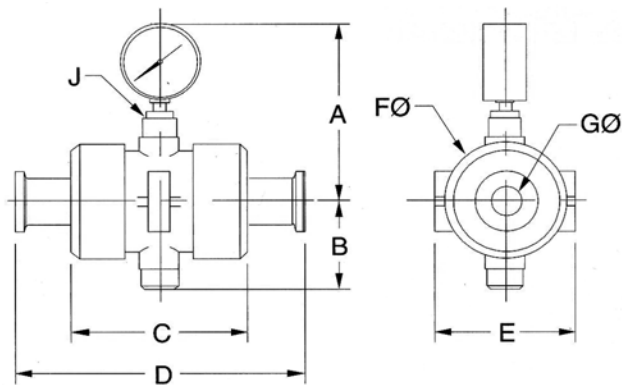
Vertical Pressure Gauge Guard



SIZE	PART#	A	B
MINI	(T,K)VG075	0.560	0.750
MAXI	(T,K)VG0100	0.856	1.106
1 1/2"	(T,K)VG0150	1.356	1.606
2"	(T,K)VG0200	1.856	2.106

*SPECIFY GAUGE RANGE
 T = Polypropylene K = Kynar® (PVDF)

Horizontal Pressure Gauge Guard

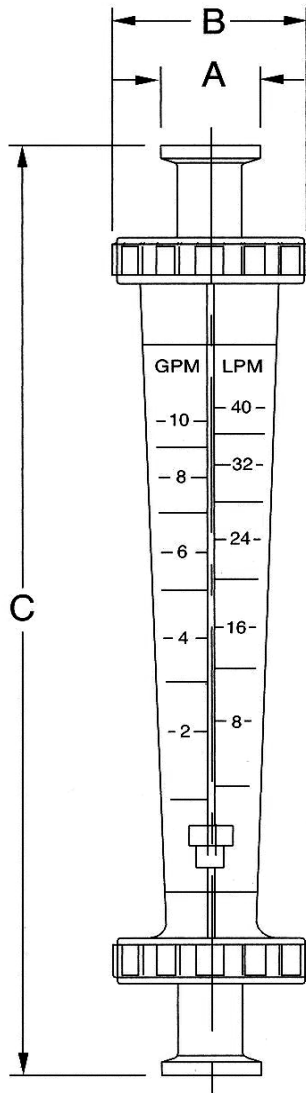


SIZE	PART #	A	B	C	D	E	F	G	J
MINI	(T,K)HG075-(15,30,60,100,200)	4.000	1.810	3.810	8.000	3.200	2.800	0.500	1/4 FNPT
MAXI	(T,K)HG100-(15,30,60,100,200)	4.000	1.810	3.810	7.500	3.200	2.800	0.856	1/4 FNPT
1 1/2"	(T,K)HG150-(15,30,60,100,200)	4.800	2.630	4.500	8.130	4.070	4.020	1.356	1/4 FNPT
2"	(T,K)HG200-(15,30,60,100,200)	4.800	2.630	4.500	8.440	4.070	4.020	1.856	1/4 FNPT

*SPECIFY GAUGE RANGE T = Polypropylene K = Kynar® (PVDF)

sani-tech
west

Flow Meters



SIZE	PART #	A	B	C	GPM
MINI	(T,K)FM075	.992	4.000	10.0	1 TO 10 GPM
MAXI	(T,K)FM100	1.500	4.000	14.12	2 TO 20 GPM
1 1/2"	(T,K)FM150	1.984	4.800	19.5	10 TO 80 GPM
2"	(T,K)FM200	2.516	4.800	19.5	15 TO 130 GPM

T = Polypropylene K = Kynar® (PVDF)

Sani-Tech® and Sani-Pro® are registered trademarks of Saint-Gobain Performance Plastics.

sani-tech
west