

# Sani-Tech® Micro Size Tubing & Components

## Non-Metallic Millimeter-Sized Sanitary Rigid Products

Sani-Tech's Sanitary Micro Systems are based on the time-proven characteristics of a family of pharmaceutical-quality polymers and elastomers, and have been put to the test by the world's leading Pharmaceutical, Biotechnology and Instrumentation & Equipment Manufacturing Companies. In fact, many of the individual system components have been designed to address our client's most demanding application requirements, and guarantee complete "Systems Responsibility".

Sani-Tech's Micro Tubing can be used in a system with a wide range of Unitized Sanitary Ends & Ferrules, Clamps, Gaskets, Manifolds Elbows, Tees, Wyes, End Caps, Reducers, and Adapters. Our sanitary Micro Systems also include Luer Locks, Polysulfone Sight Glasses, Pressure Gauges, Static Mixers and Valves in many configurations.

In-field requirements and maintenance can be addressed with Sani-Tech's innovative Labtop Fabrication Equipment. These user-friendly devices greatly facilitate both on-the-spot maintenance, standard and custom micro fabrications.



<a href="#"><u>Sani-Pro® Micro Tubing</u></a>	<a href="#"><u>Page 2</u></a>
<a href="#"><u>Straight Thru Micro Ferrules</u></a>	<a href="#"><u>Page 2</u></a>
<a href="#"><u>Micro Reducing Ferrules</u></a>	<a href="#"><u>Page 3</u></a>
<a href="#"><u>Micro 90° Elbows</u></a>	<a href="#"><u>Page 3</u></a>
<a href="#"><u>Micro 45° Elbows</u></a>	<a href="#"><u>Page 4</u></a>
<a href="#"><u>Micro 180° Bends</u></a>	<a href="#"><u>Page 4</u></a>
<a href="#"><u>Micro Tees</u></a>	<a href="#"><u>Page 5</u></a>
<a href="#"><u>Micro Crosses</u></a>	<a href="#"><u>Page 5</u></a>
<a href="#"><u>Micro End Caps</u></a>	<a href="#"><u>Page 5</u></a>
<a href="#"><u>Concentric Reducers</u></a>	<a href="#"><u>Page 6</u></a>
<a href="#"><u>Micro Gaskets</u></a>	<a href="#"><u>Page 6</u></a>
<a href="#"><u>True Union Clamps</u></a>	<a href="#"><u>Page 6</u></a>
<a href="#"><u>Aluminum Micro Spanner Wrench Sets</u></a>	<a href="#"><u>Page 7</u></a>
<a href="#"><u>Micro End Caps X-Grip Handle</u></a>	<a href="#"><u>Page 7</u></a>
<a href="#"><u>Micro Push Pull Clamps</u></a>	<a href="#"><u>Page 7</u></a>
<a href="#"><u>Micro Manual Diaphragm Valves</u></a>	<a href="#"><u>Page 8</u></a>
<a href="#"><u>Micro Air Operated Diaphragm Valves</u></a>	<a href="#"><u>Page 8</u></a>
<a href="#"><u>Multi-Way Micro Plug Valves</u></a>	<a href="#"><u>Page 9</u></a>
<a href="#"><u>Pressure Gauges X Micro Ends</u></a>	<a href="#"><u>Page 10</u></a>
<a href="#"><u>Micro Polysulfone Sight Gauges</u></a>	<a href="#"><u>Page 10</u></a>
<a href="#"><u>2 &amp; 3 Way Luer Lock Valves</u></a>	<a href="#"><u>Page 11</u></a>

**sani-tech**  
**west**

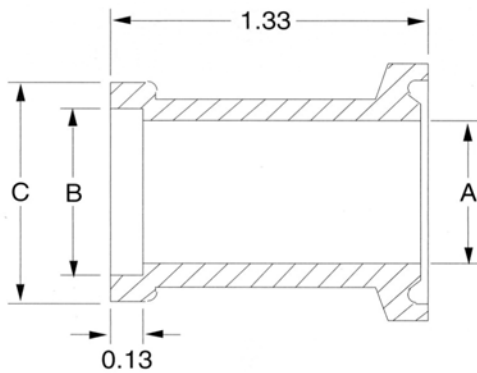
# Sani-Tech® Micro Size Tubing & Components



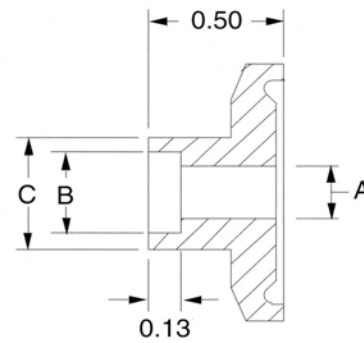
SIZE	PART #	A	B	WALL
3mm	(T,K)003	0.242	0.118	0.062
6mm	(T,K)006	0.360	0.236	0.062
10mm	(T,K)010	0.518	0.394	0.062
12mm	(T,K)012	0.596	0.472	0.062

T = Polypropylene K = Kynar® (PVDF)

## Micro Straight Thru Ferrules



**STRAIGHT THRU FERRULE**  
14.2 mm (MINI)



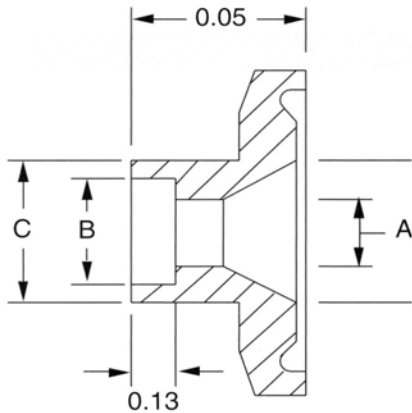
**STRAIGHT THRU FERRULE**  
All other sizes

SIZE	PART#	A	B	C
3mm	(T,K)SF003	0.118	0.242	0.382
6mm	(T,K)SF006	0.236	0.360	0.500
10mm	(T,K)SF010	0.394	0.518	0.658
12mm	(T,K)SF012	0.472	0.596	0.736
14.2mm MINI	(T,K)SF014	0.560	0.750	0.905

T = Polypropylene K = Kynar® (PVDF)

**sani-tech**  
**west**

# Micro Reducing Ferrules

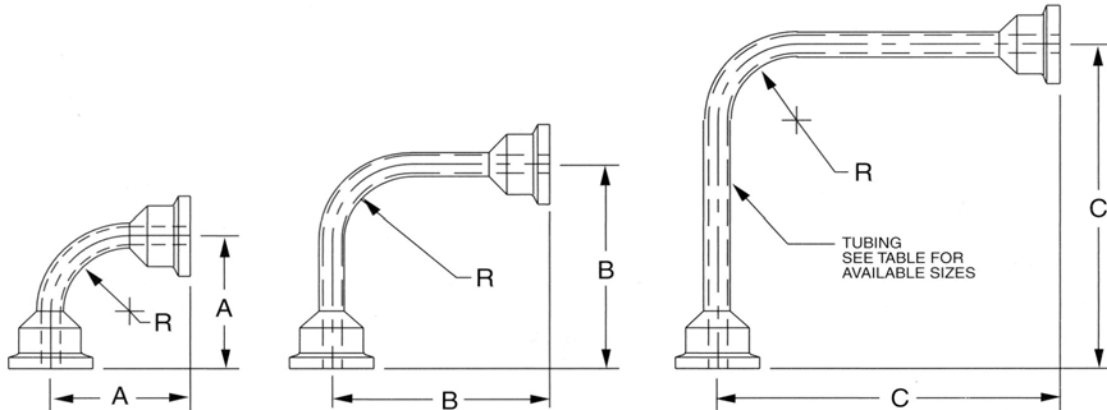


**REDUCING FERRULE**

SIZE	PART #	A	B	C
3mm x 6mm	(T, K)RF006-003	0.118	0.242	0.382
3mm x 10mm	(T,K)RF010-003	0.118	0.242	0.382
3mm x 12mm	(T,K)RF012-003	0.118	0.242	0.382
3mm x MINI	(T,K)RF075-003	0.118	0.242	0.382
6mm x 10mm	(T,K)RF010-006	0.236	0.360	0.382
6mm x 12mm	(T,K)RF012-006	0.236	0.360	0.382
6mm x MINI	(T,K)RF075-006	0.236	0.360	0.382
10mm x 12mm	(T,K)RF012-010	0.394	0.518	0.658
10mm x MINI	(T,K)RF075-010	0.394	0.518	0.658
12mm x MINI	(T,K)RF075-012	0.472	0.596	0.736

T = Polypropylene K = Kynar® (PVDF)

# Micro 90° Elbows



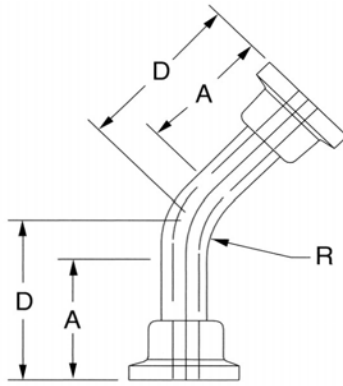
SIZE	PART #	TUBE ID	TUBE OD	A	B	C	R
3mm	(T,K)90003*	0.118	0.242	1.58	2.50	4.00	0.72
6mm	(T,K)90006*	0.236	0.360	1.58	2.50	4.00	0.72
10mm	(T,K)90010*	0.394	0.518	2.00	2.50	4.00	1.00
12mm	(T,K)90012*	0.472	0.596	2.00	2.50	4.00	1.00

T = Polypropylene K = Kynar® (PVDF)

**\*INDICATE CENTER LINE DIMENSION**  
**NOTE: DIMENSIONS SHOWN ABOVE ARE FOR REFERENCE ONLY**



# Micro 45° Elbows

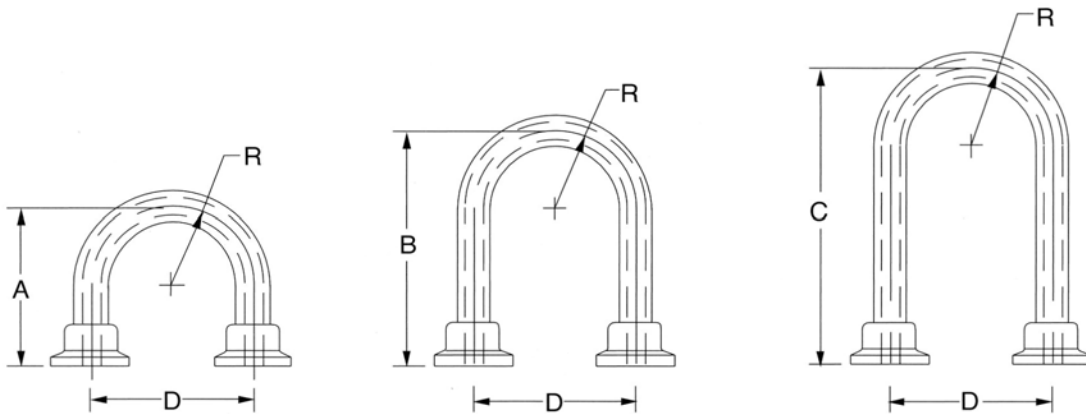


SIZE	PART #	A	R	D	TUBING ID	TUBING OD
3mm	(T,K)45003*	1.58	0.72	1.86	0.118	0.242
6mm	(T,K)45006*	1.58	0.72	1.86	0.236	0.360
10mm	(T,K)45010*	2.00	1.00	2.38	0.394	0.518
12mm	(T,K)45012*	2.00	1.00	2.38	0.472	0.596

T = Polypropylene K = Kynar® (PVDF)

**\*INDICATE CENTER LINE DIMENSION**  
**NOTE: DIMENSIONS SHOWN ABOVE ARE FOR REFERENCE ONLY**

# Micro 180° Bend



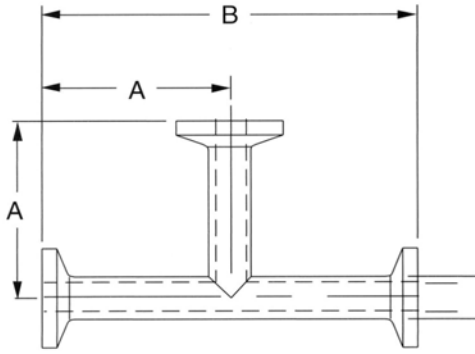
SIZE	PART #	A	B	C	D	R	TUBING ID	TUBING OD
3mm	(T,K)180003*	1.58	2.50	4.00	1.50	0.75	0.118	0.242
6mm	(T,K)180006*	1.58	2.50	4.00	1.88	0.94	0.236	0.360
10mm	(T,K)180010*	2.00	2.50	4.00	2.66	1.33	0.394	0.518
12mm	(T,K)180012*	2.00	2.50	4.00	3.07	1.54	0.472	0.596
14.2mm MINI	(T,K)180075*	3.25	3.50	4.00	3.76	1.88	0.560	0.750

T = Polypropylene K = Kynar® (PVDF)

**\*INDICATE CENTER LINE DIMENSION**  
**NOTE: DIMENSIONS SHOWN ABOVE ARE FOR REFERENCE ONLY**



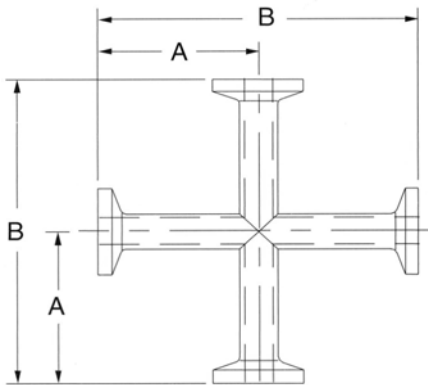
## Micro Tee



SIZE	PART #	A	B
3mm	(T,K)T003	1.58	3.11
6mm	(T,K)1006	1.58	3.11
10mm	(T,K)T010	1.58	3.11
12mm	(T,K)T012	1.58	3.11

T = Polypropylene K = Kynar® (PVDF)

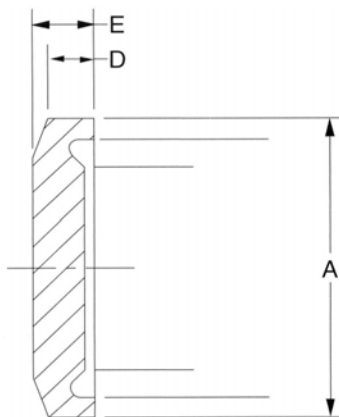
## Micro Cross Tee



SIZE	PART #	A	B
3mm	(T,K)CT003	1.55	3.11
6mm	(T,K)CT006	1.55	3.11
10mm	(T,K)CT010	1.55	3.11
12mm	(T,K)CT012	1.55	3.11
14.2mm MINI	CONSULT FACTORY FOR DIMENSIONS		

T = Polypropylene K = Kynar® (PVDF)

## Micro End Cap

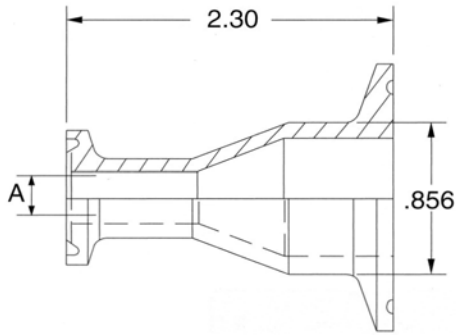


SIZE	PART #	A	D	E
MICRO	(T,K,PS)E075	0.992	0.143	0.188

T = Polypropylene K = Kynar® (PVDF) PS = Polysulfone

**sani-tech**  
**west**

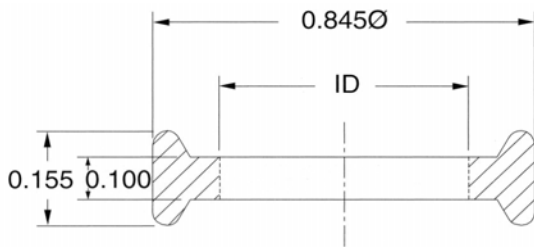
# Concentric Reducer



SIZE	PART#	A
1" LADISH x 3mm	(T,K)AD100L-003	0.118
1" LADISH x 6mm	(T,K)AD100L-006	0.236
1" LADISH x 10mm	(T,K)AD100L-010	0.393
1" LADISH x 12mm	(T,K)AD100L-012	0.472

T = Polypropylene K = Kynar® (PVDF)

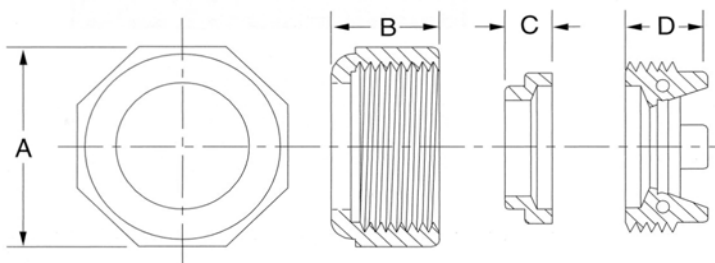
# Micro Gaskets



SIZE	PART#	ID
3mm	GAS(S,V,E)003	0.133
6mm	GAS(S,V,E)006	0.266
10mm	GAS(S,V,E)010	0.424
12mm	GAS(S,V,E)012	0.502

S = Platinum Cured Silicone  
 V = Viton®  
 E = EPDM

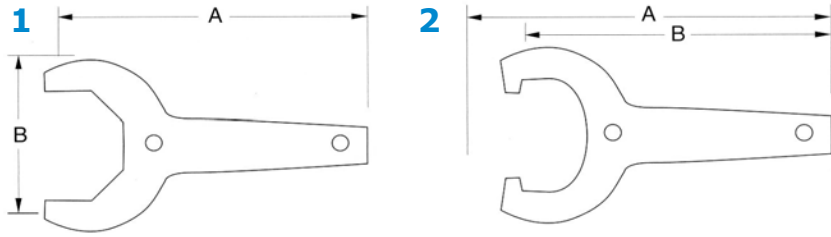
# True Union Clamp (3,6,10,12,14MM)



SIZE	PART#	A	B	C	D
MICRO	CL075TU	1.50	0.83	0.38	0.65



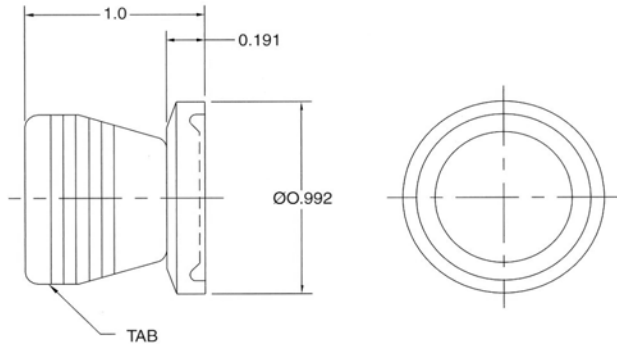
# Micro Aluminum Spanner Wrench



SIZE	PART #	1		2	
		A	B	A	B
MICRO	CL075SW	4.92	2.26	4.92	4.20

(One of each included in set)

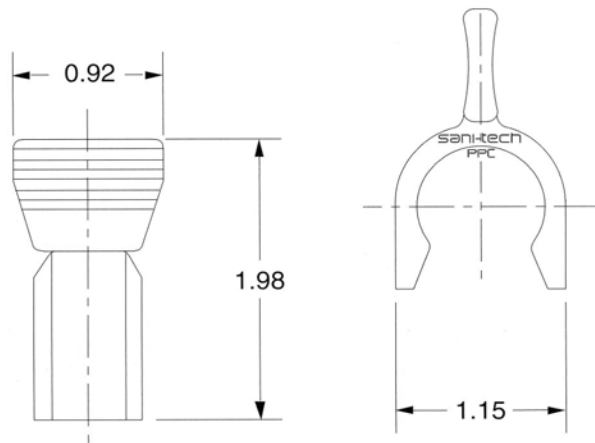
# Micro End Cap X-Grip Handle



SIZE	PART #	E
MICRO	(T,K,)EG075	0.188

T = Polypropylene K = Kynar® (PVDF)

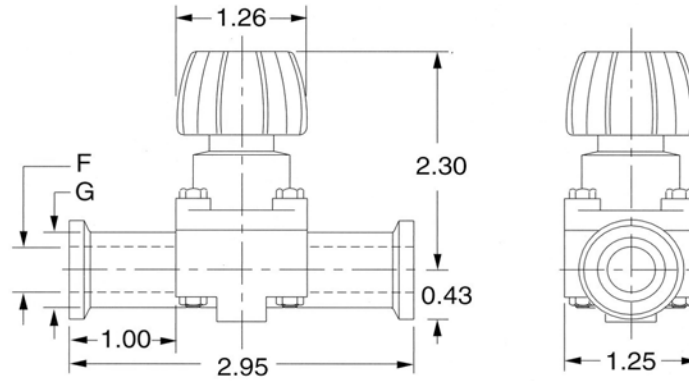
# Micro Polysulfone Push Pull Clamp



PART #	COLOR
PPCB	BLUE
PPCG	GREEN
PPCGRY	GRAY
PPCNAT	NATURAL
PPCR	RED
PPCW	WHITE
PPCY	YELLOW

**sani-tech**  
**west**

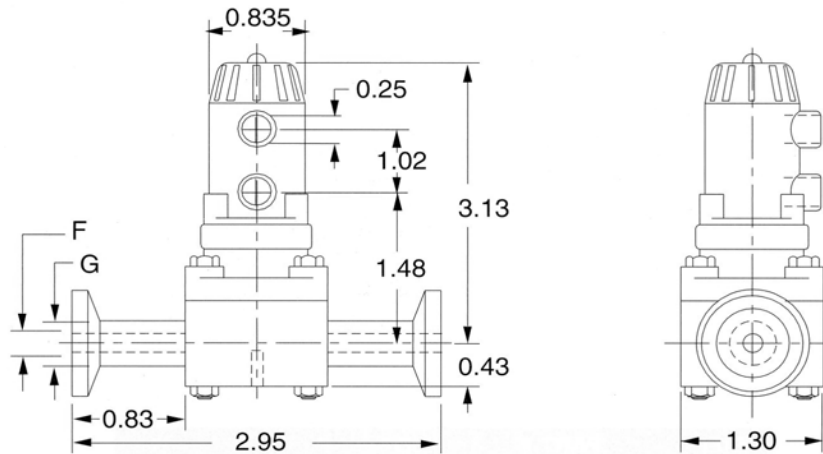
# Micro Manual Diaphragm Valves



SIZE	PART #	F	G	Cv
3mm	(T,K)DV003	0.118	0.267	1.75
6mm	(T,K)DV006	0.236	0.385	1.75

T = Polypropylene K = Kynar® (PVDF)

# Micro Air Operated Diaphragm Valves



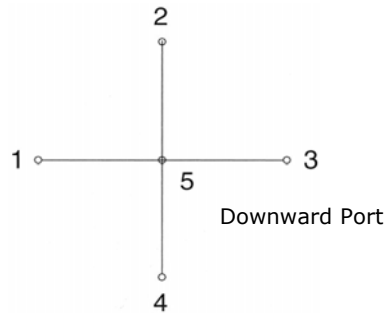
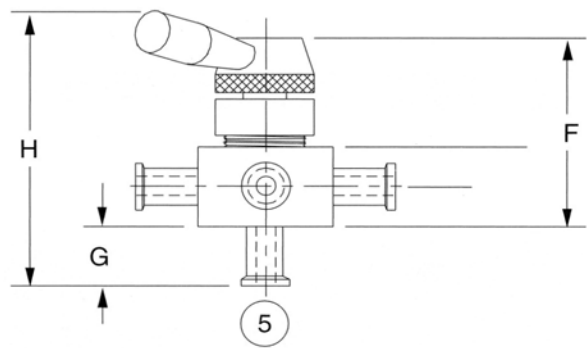
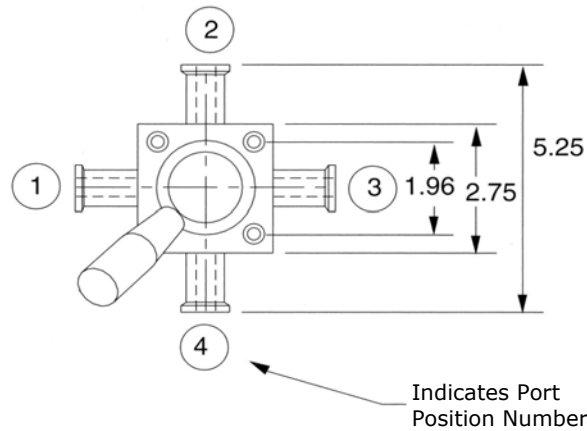
SIZE	PART #	F	G	Cv
3mm	(T,K)DV003(SO,SC,DA)	0.118	0.267	1.75
6mm	(T,K)DV006(SO,SC,DA)	0.236	0.385	1.75

T = Polypropylene SO = Spring Open  
 K = Kynar® (PVDF) SC = Spring Closed  
 DA = Double Acting





# 2, 3, 4 & 5 Way Plug Valves

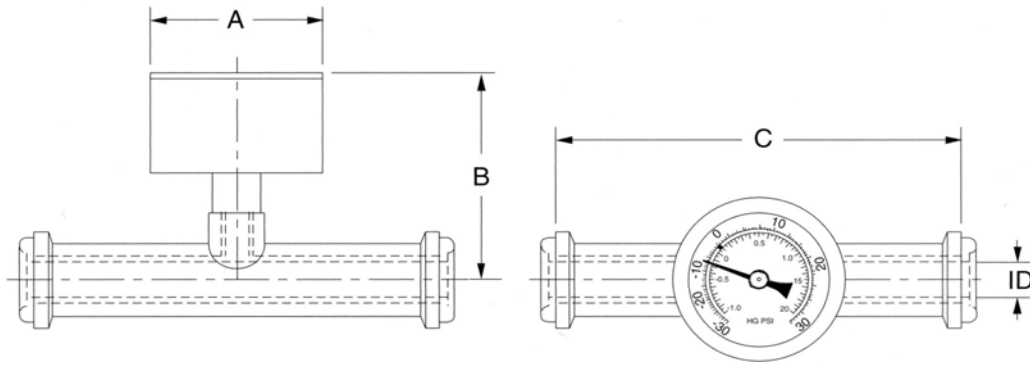


SIZE	PART#	ID	F	G	H
3mm	(T,K)(2,3,4,5)PV003	0.118	4.10	1.25	4.65
6mm	(T,K)(2,3,4,5)PV006	0.236	4.10	1.25	4.65
10mm	(T,K)(2,3,4,5)PV010	0.394	4.10	1.25	4.65
12mm	(T,K)(2,3,4,5)PV012	0.472	4.10	1.25	4.65

T = Polypropylene (Indicate Number of Ports)  
 K = Kynar® (PVDF)



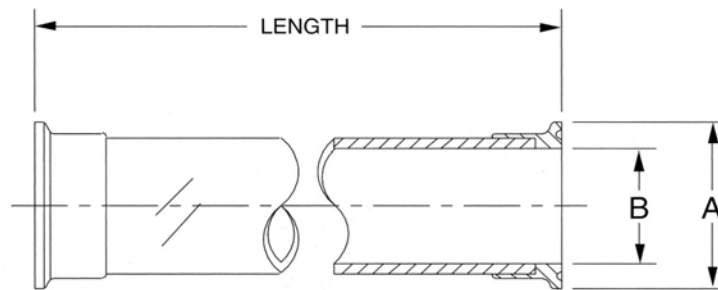
# Pressure Gauge X Micro Ends



SIZE	PART #	ID	A	B	C
6mm	(T,K)HG006	0.300	1.70	2.15	4.00

T = Polypropylene K = Kynar® (PVDF)

# Micro Polysulfone Sight Gauge

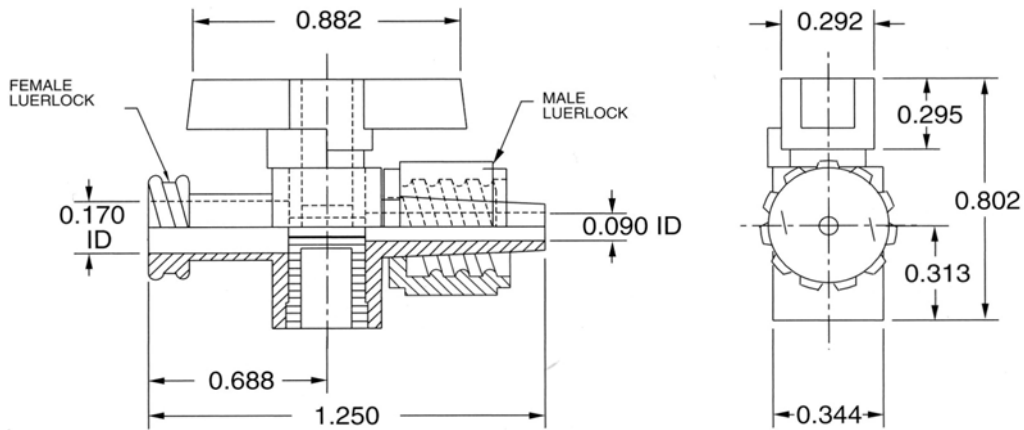


SIZE	PART#	A	B
3mm	PS003-(3,6,1 2,24,36)	0.992	0.118
6mm	PS006-(3,6,1 2,24,36)	0.992	0.236
10mm	PS010-(3,6,1 2,24,36)	0.992	0.394
12mm	PS012-(3,6,1 2,24,36)	0.992	0.472

CONSULT SANI-TECH WEST FOR CUSTOM LENGTHS  
INDICATE LENGTH WHEN ORDERING

**sani-tech**  
**west**

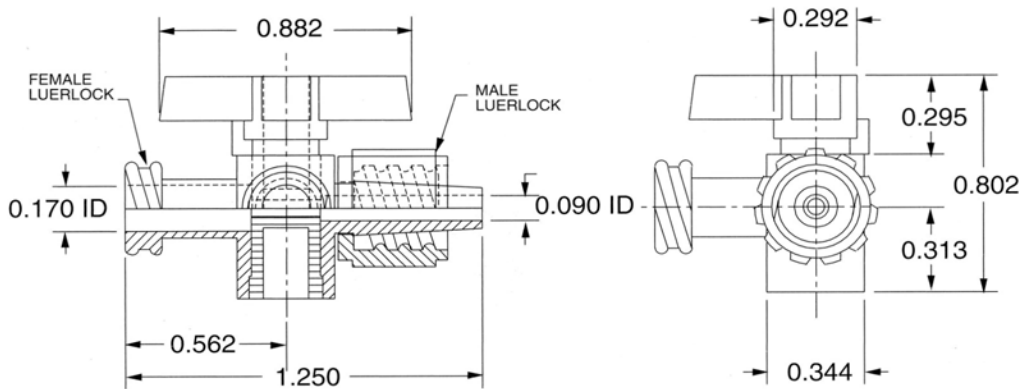
# 2-Way Luer Lock Valve



PART #
(T,K)LL2W

T = Polypropylene K = Kynar® (PVDF)

# 3-Way Luer Lock Valve



PART #
(T,K)LL3W

T = Polypropylene K = Kynar® (PVDF)

Sani-Tech® and Sani-Pro® are registered trademarks of Saint-Gobain Performance Plastics.

